

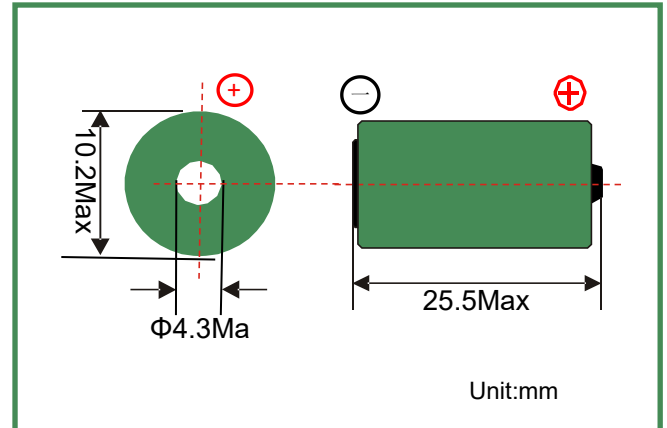
ER10250H 3.6V 400MAH Specification sheet

HIGH CAPACITY TYPE

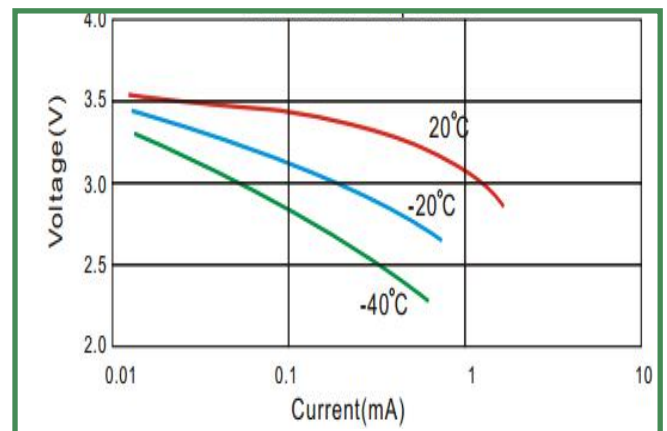
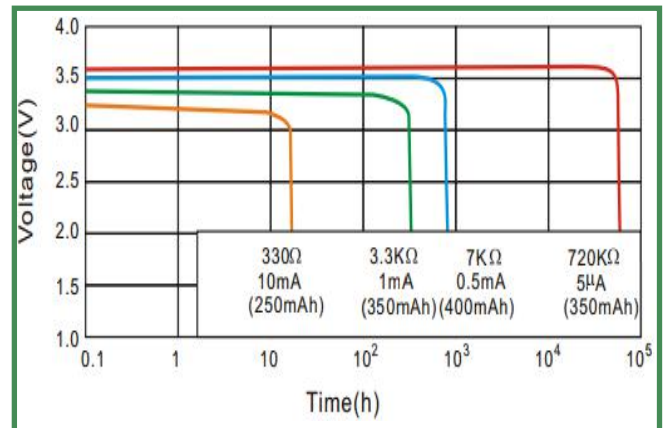
Basic Specification

Nominal capacity (at 0.5mA, 23±2°C 2.0V)	400mAh
Nominal voltage	3.6V
Standard discharge current	1.0mA
Maximum continuous current	5mA
Maximum pulse current	10mA
Self Discharge Rate	≤1% per year
Operating temperature range	-55°C~+85°C
Storage temperature (recommended)	10°C~+40°C
Max. dimensions (mm)	Φ10.2×25.5mm
Weight	3.8g

Mechanical Dimension



Electrical Characteristics



Main Features

- Bobbin electrode structure ensures high capacity 420WH/kg。
- High stable discharge characteristics
- Low self-discharge rate<1% at 25°C and long shelf life more than 10 years
- Wide temperature range: -55°C~+85°C
- High voltage, with open circuit voltage 3.65V
- CE, FCC ROHS approved

Main Applications

- Intelligent IC Meter
- Gas/water Meter
- Marine equipments (Pinger, life rescue devices)
- Portable GPS devices
- ELTS, EPIRBS, etc.

Notes

- Special terminations can be added
- T: Solder tabs
- P: Axial pins; Connectors

It is Lithium primary battery, can not be charged.

Please use battery under the temperature range listed in specification sheet.

Website:www.jzbattery.com

A ISO 9001:2008 certified company