

CR123A 3.0V 1500MAH Specification sheet

POWER TYPE 2/3A

Basic Specification

Nominal capacity (at 10mA, 23±2°C 2.0V)	1500mAh
Nominal voltage	3.0V
Standard discharge current	1.0mA
Maximum continuous current	1500mA
Maximum pulse current	3000mA
Self Discharge Rate	≤1% per year
Operating temperature range	-40°C~+85°C
Storage temperature (recommended)	10°C~+30°C
Max. dimensions (mm)	Φ17.0×33.5
Weight	20g

Main Features

- Spiral electrode structure ensures high-rate current discharge
- High stable discharge characteristics
- Low self-discharge rate and long shelf life.
- Wide temperature range: -40°C~+85°C
- Well leakage resistance
- Low self-discharge rate (less than 1% after 1 year of storage at + 20°C)
- CE, FCC ROHS approved

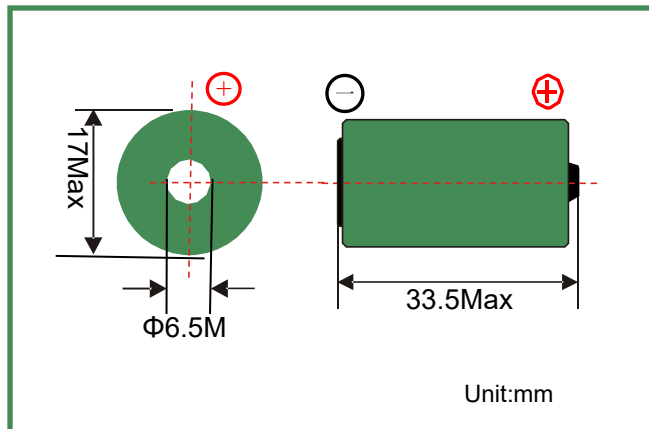
Main Applications

- Intelligent IC Meter
- Gas Meter
- Marine equipment
- Portable devices
- ELTS, EPIRBS, etc.

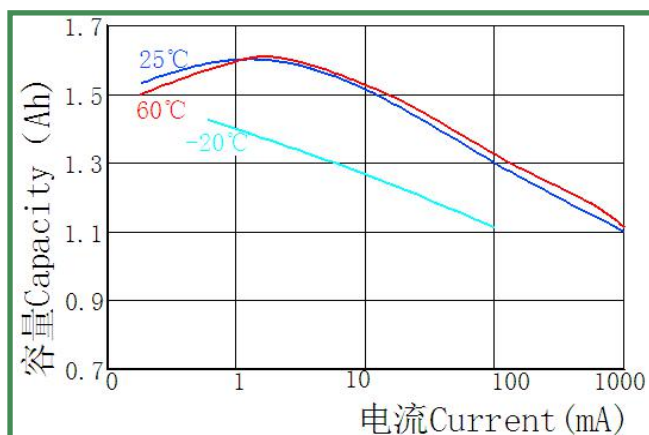
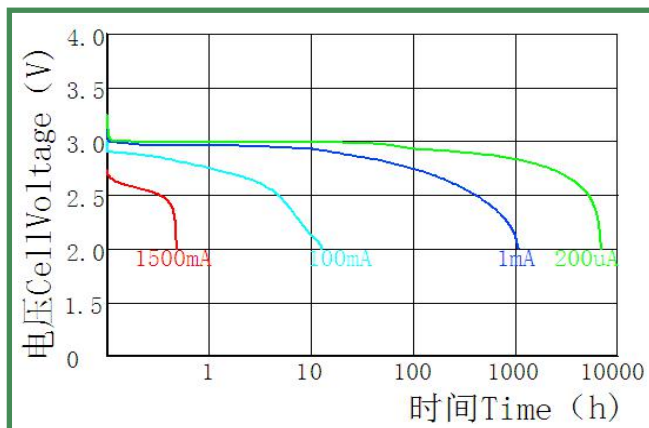
Notes

- Special terminations can be added
- T: Solder tabs
- P: Axial pins
- Connector with wire
- It is Lithium primary battery, can not be charged.
- Please use battery under the temperature range listed in specification sheet.

Mechanical Dimension



Electrical Characteristics



Website: www.jzbattery.com

A ISO9001:2008 Certified Company