

## CR2 3.0V 850MAH Specification sheet

### POWER TYPE

#### Basic Specification

Nominal capacity ( at 10mA, 23±2°C 2.0V)	850mAh
Nominal voltage	3.0V
Standard discharge current	1.0mA
Maximum continuous current	1000mA
Maximum pulse current	2000mA
Self Discharge Rate	≤1% per year
Operating temperature range	-40°C~+85°C
Storage temperature (recommended)	10°C~+30°C
Max. dimensions (mm)	Φ15.5×27.0
Weight	13g

#### Main Features

- Spiral electrode structure ensures high-rate current discharge
- High stable discharge characteristics
- Low self-discharge rate and long shelf life.
- Wide temperature range: -40°C~+85°C
- Well leakage resistance
- Low self-discharge rate (less than 1% after 1 year of storage at + 20°C)
- CE, FCC ROHS approved

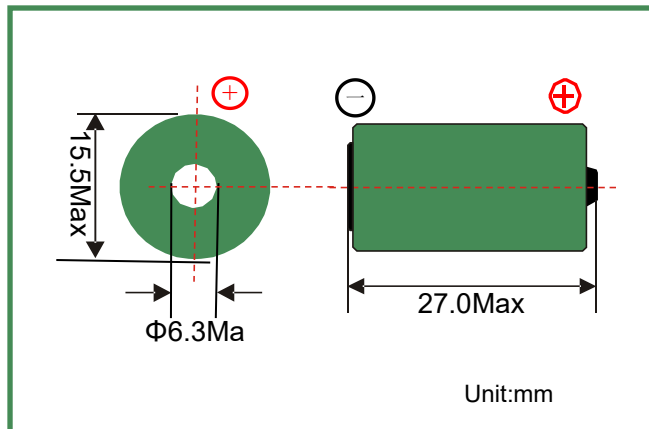
#### Main Applications

- Intelligent IC Meter
- Gas Meter
- Marine equipment
- Portable devices
- ELTS, EPIRBS, etc.

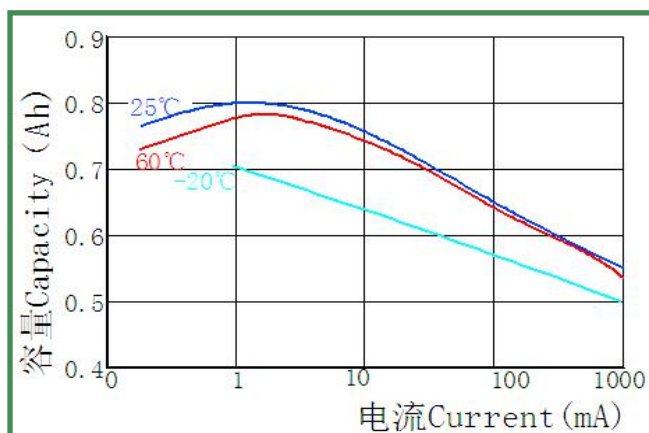
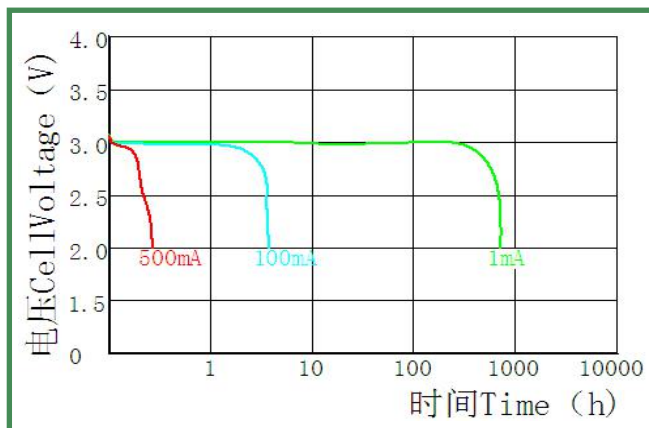
#### Notes

- Special terminations can be added
- T: Solder tabs
- P: Axial pins
- Connector with wire
- It is Lithium primary battery, can not be charged.
- Please use battery under the temperature range listed in specification sheet.

#### Mechanical Dimension



#### Electrical Characteristics



Website: [www.jzbattery.com](http://www.jzbattery.com)

A ISO9001:2008 Certified Company