

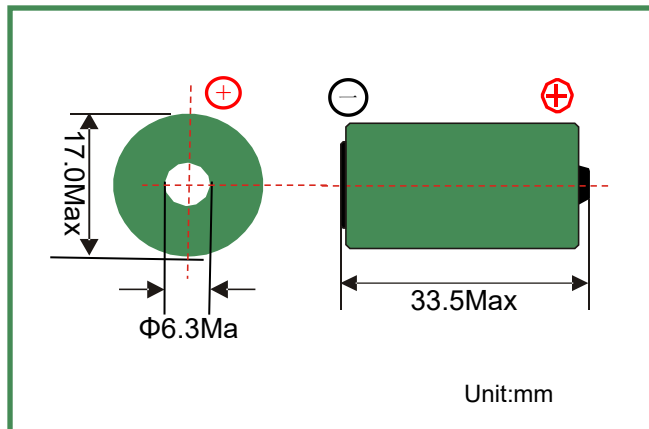
## CR17335SE 3.0V 1500MAH Specification sheet

### ENERGY TYPE

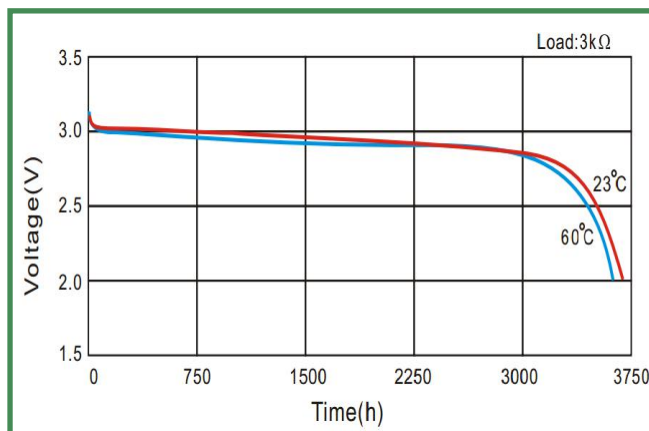
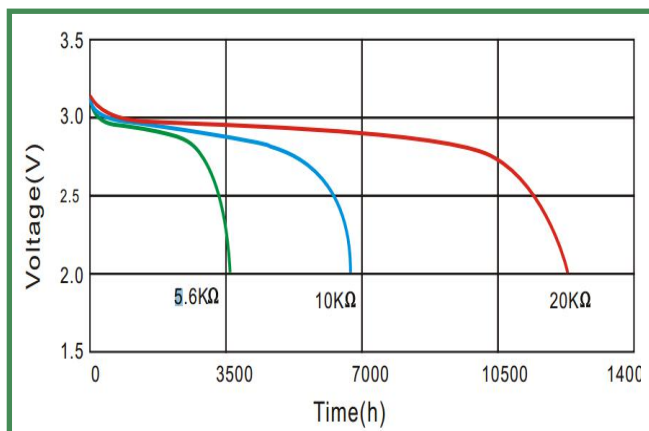
#### Basic Specification

Nominal capacity ( at 0.5mA, 23±2°C 2.0V)	1500mAh
Nominal voltage	3.0V
Standard discharge current	1mA
Maximum continuous current	10mA
Maximum pulse current	100mA
Self Discharge Rate	≤2% per year
Operating temperature range	-40°C~+85°C
Storage temperature (recommended)	10°C~+40°C
Max. dimensions (mm)	Φ17.0×33.5
Weight	22g

#### Mechanical Dimension



#### Electrical Characteristics



#### Main Features

- Spiral electrode structure ensures high-rate current discharge
- High stable discharge characteristics
- Low self-discharge rate and long shelf life.
- Wide temperature range: -40°C~+85°C
- Well leakage resistance
- Low self-discharge rate (less than 2% after 1 year of storage at + 20°C)

#### Main Applications

- Intelligent IC Meter
- Gas Meter
- Marine equipment
- Portable devices
- ELTS, EPIRBS, etc.

#### Notes

Special terminations can be added

T: Solder tabs

P: Axial pins

It is Lithium primary battery, can not be charged.

Please use battery under the temperature range listed in specification sheet.

Website: [www.jzbattery.com](http://www.jzbattery.com)

A ISO9001:2008 Certified Company